

4

3

2

1

THIS DRAWING IS UNPUBLISHED.

RELEASED FOR PUBLICATION

-- --

© COPYRIGHT - BY TYCO ELECTRONICS CORPORATION.

ALL RIGHTS RESERVED.

LOC

DIST

REVISIONS

GP

00

P

LTR

DESCRIPTION

DATE

DWN

APVD

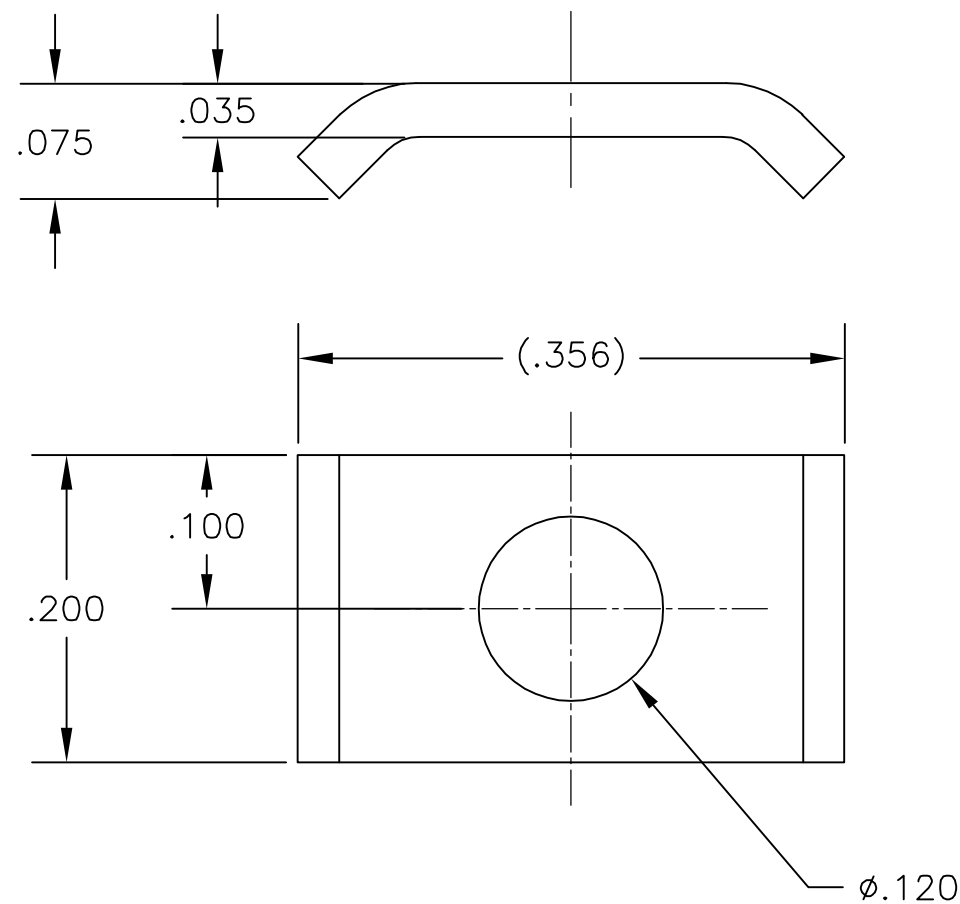
0

RELEASED PER EC 0S13-0207-05

21JUN05

RR

JG



1 ZINC PLATED .000200-000400 THICK, CLEAR CHROMATE COATING.

2. MUST BE USED WITH .437 LONG SCREW, TYCO PART NUMBER 5206052-3.

1

5206473-3

FINISH

PART NO

THIS DRAWING IS A CONTROLLED DOCUMENT.

DWN R.RICHARDSON 21JUN05

CHK C.ROHDE 21JUN05

APVD M.WALMSLEY 21JUN05

PRODUCT SPEC -

APPLICATION SPEC -

WEIGHT -

CUSTOMER DRAWING

 Tyco Electronics Corporation  
 Harrisburg, Pa 17105-3608

 NAME  
 WASHER, SADDLE, SPECIAL

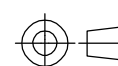
 SIZE A3  
 CAGE CODE 00779  
 DRAWING NO C-5206473

RESTRICTED TO -

SCALE 4:1

SHEET 1 OF 1

REV 0

DIMENSIONS:  
INCHES

TOLERANCES UNLESS OTHERWISE SPECIFIED:

0 PLC	± -
1 PLC	± -
2 PLC	± -
3 PLC	± .005
4 PLC	± -
ANGLES	± -

 MATERIAL  
 COLD ROLLED STEEL

 FINISH  
 SEE TABLE